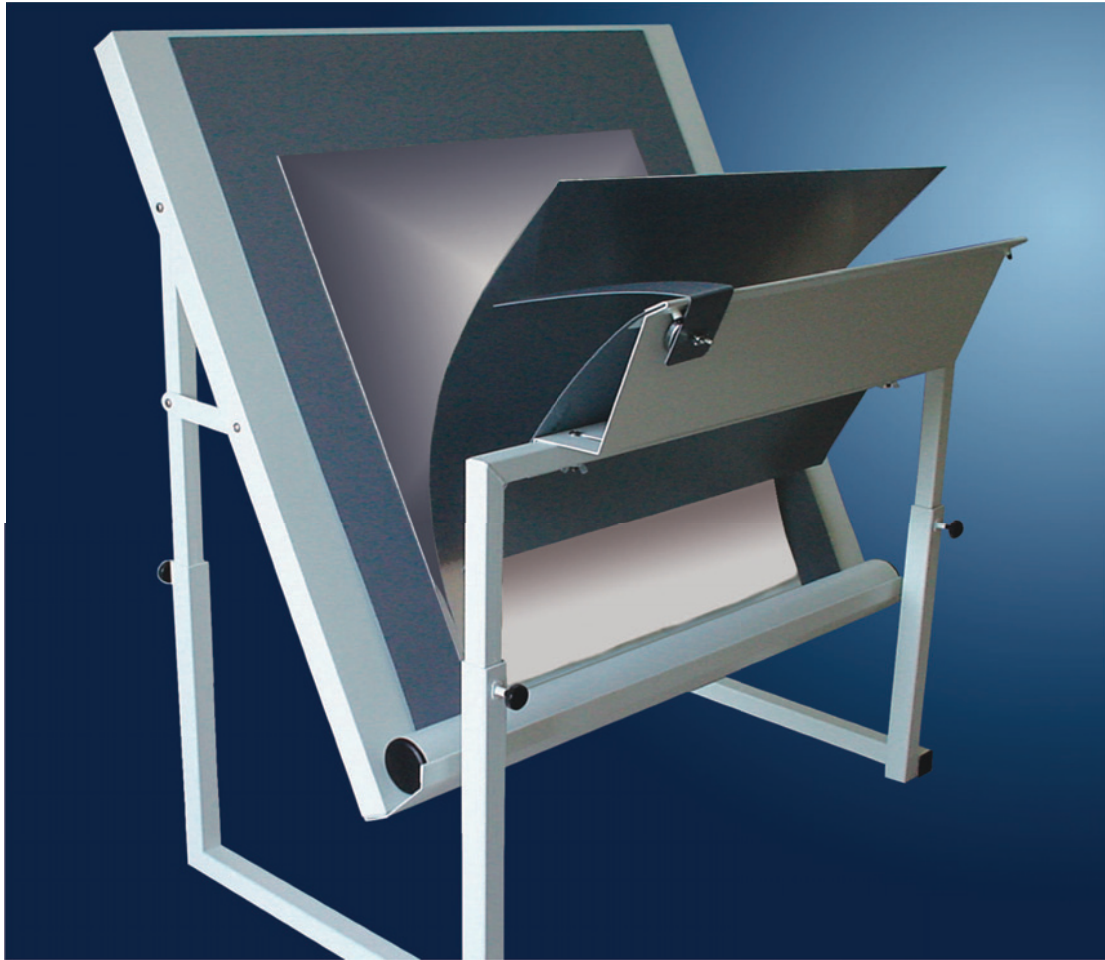


GravityStack44



Gravity Powered Plate Stacker

RobertJamesDesigns offers innovation in design for the CTP Industry. The GravityStack44 plate stacker is simple, durable and economical. It has the smallest footprint in the industry, addressing current and future space requirements of prepress departments and the flexibility to adjust to any plate processing line.

Please check our specs and visit us at www.platestacker.com

- **Smallest footprint in the industry 31.5" x 46.25" (800mm x 1181mm)**
Accepts plate sizes from 10" to 42"* (254mm to 1067mm)
- **Rugged Heavy Duty Steel Construction**
Adjusts for all plate setters and processors
- **Automated performance**
- **No electricity or maintenance required**
Priced economically
- **Lifetime Warranty** ***See reverse side for PlateBasket option**

RobertJamesDesigns, llc

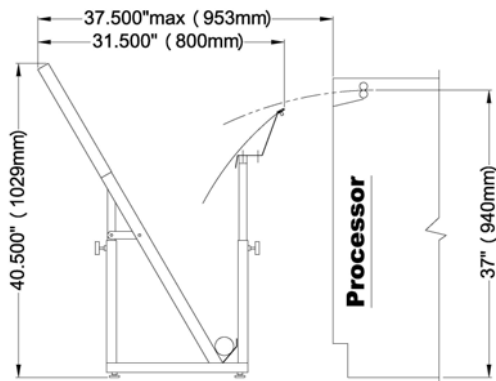
133 East Holly Street, Suite 407, Pasadena, CA 91103 USA

Sales & Marketing: 1-626-389-8080 james@platestacker.com

Orders, fax or email: 1-626-796-1592 bob@platestacker.com

RobertJamesDesigns

GravityStack44



GravityStack44 Unit Dimensions

Unit Width = 46.25" (1108mm)

Unit Weight = 80 lbs (36kg)

Shipping Weight = 120 lbs (55kg)

No electrical power required

(Unit shown in its largest configuration)

PlateTrolley



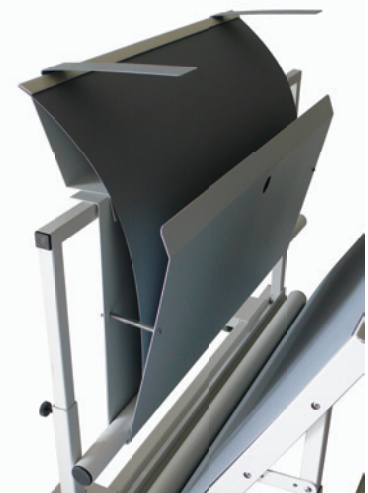
An easy rolling two-sided cart, transports plates from pre-press operations to press, improving work-flow based on a "work-in-progress" concept.

- Improves work-flow
- Minimizes plate remakes
- Rugged Heavy Gauge Powder Coated Steel
- Construction with 4" Casters
- Carries Plates up to 44" x 36" (1117mm x 914mm)
- Capacity 100 lbs (45kg)
- Size 47.5" x 30.5" x 36.75"H (1207mm x 775mm x 933mm)
- Collapsed Size 47.5" x 12" x 37.75"H
- Unit weight = 55 lbs (25kg)
- 3 year Warranty

PlateBasket

Another innovation addressing the GTO and smaller plate sizes, the PlateBasket option enables stacking small plates separately from large. This design is simple, efficient and priced economically.

Please watch our video on our website www.platestacker.com



RobertJamesDesigns, llc

133 East Holly Street, Suite 407, Pasadena, CA 91103 USA

Sales & Marketing: 1-626-389-8080 james@platestacker.com

Orders, fax or email: 1-626-796-1592 bob@platestacker.com