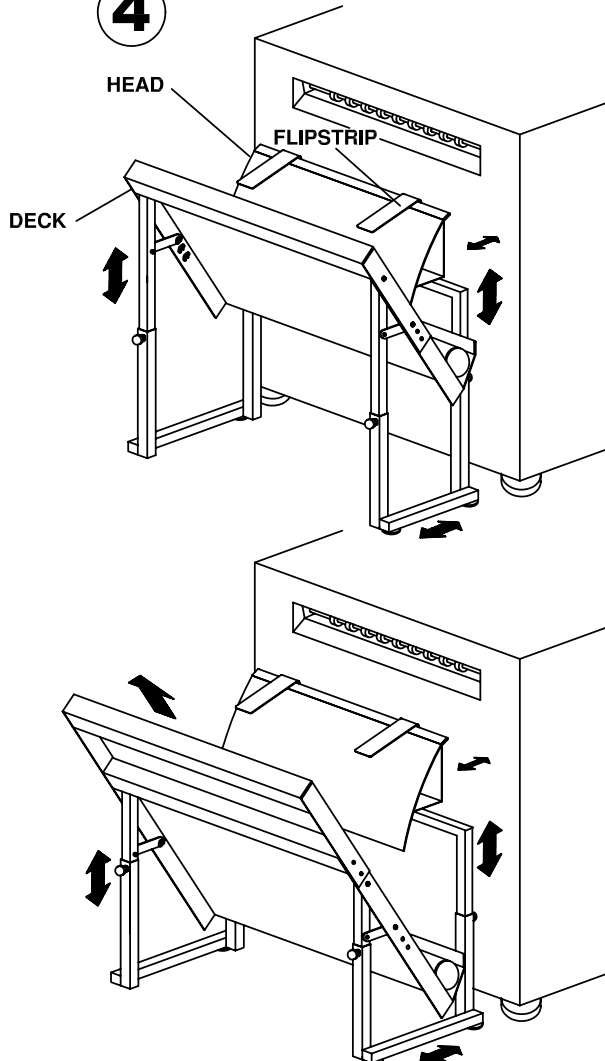


# Installation of GravityStack 44

**4** Position the GravityStack44 at exit throat of PROCESSOR as shown.



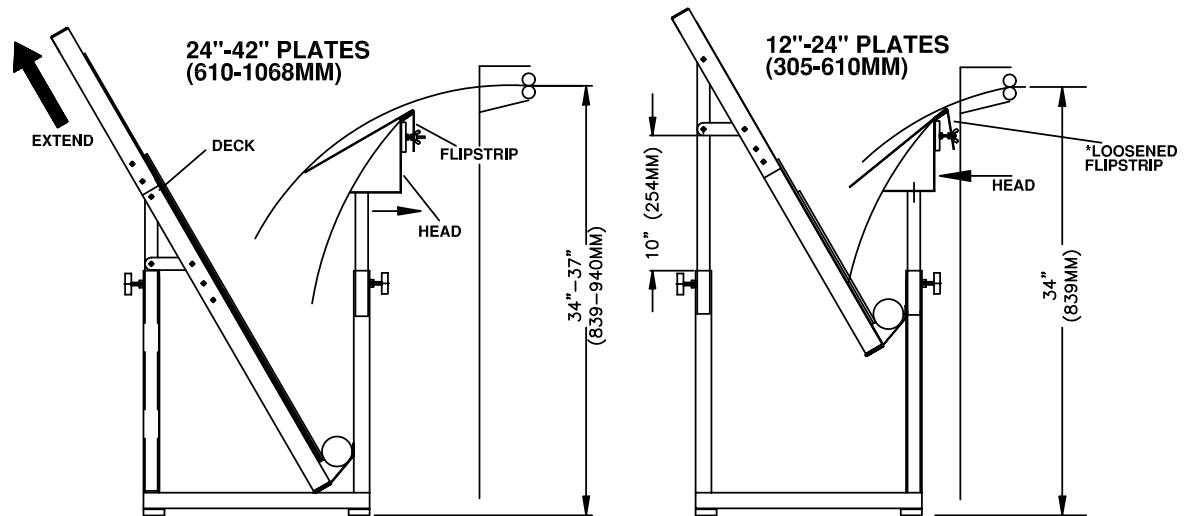
**5** Position the stacker from the processor so that the leading edge of the longest plate drapes into the stacker, missing the top edges of the smallest plates in the stacker.

Adjust the HEAD closer to the DECK if using small plates only.

Adjust the deck height as high as possible, maintaining the ability of the longest plate to properly enter the stacker and flip onto the deck.  
(This prevents the smallest plates from falling any further than necessary.)

In order to "extract" plates from the feed rollers and throat of some processors, it may be necessary to raise the head height and move stacker away from the processor, so that the plates exiting are supported longer by the head, preventing the trailing edge from getting caught in the processor throat.

The function of the FLIPSTRIPS is for them to collapse under the weight of the larger plates entering the stacker, but then to lift the trailing edge of the plate as most the weight is lessened. If possible, position the FLIPSTRIPS so that the smaller plates are not affected by it. With low processor throats, (34" or less from floor), and plates larger than 40" (portait), it may be necessary to use the second, (supplied) FLIPSTRIP. Small plates may ride on top of the FLIPSTRIPS without much deflection. \*It may be necessary to loosen the wingnuts holding the FLIPSTRIPS to the magnetic mount so that smallest plates will advance.



THESE SETUPS ARE STARTING POINT SUGGESTIONS ONLY; VARYING CONDITIONS MAY REQUIRE OTHER ADJUSTMENTS.

RobertJamesDesigns,llc e-mail: [rjdesign@sbcglobal.net](mailto:rjdesign@sbcglobal.net) [www.platestacker.com](http://www.platestacker.com)

#600F IS02-REV B